

DATA SHEET

U 5.301

ROTARY VANE- VACUUM PUMPS

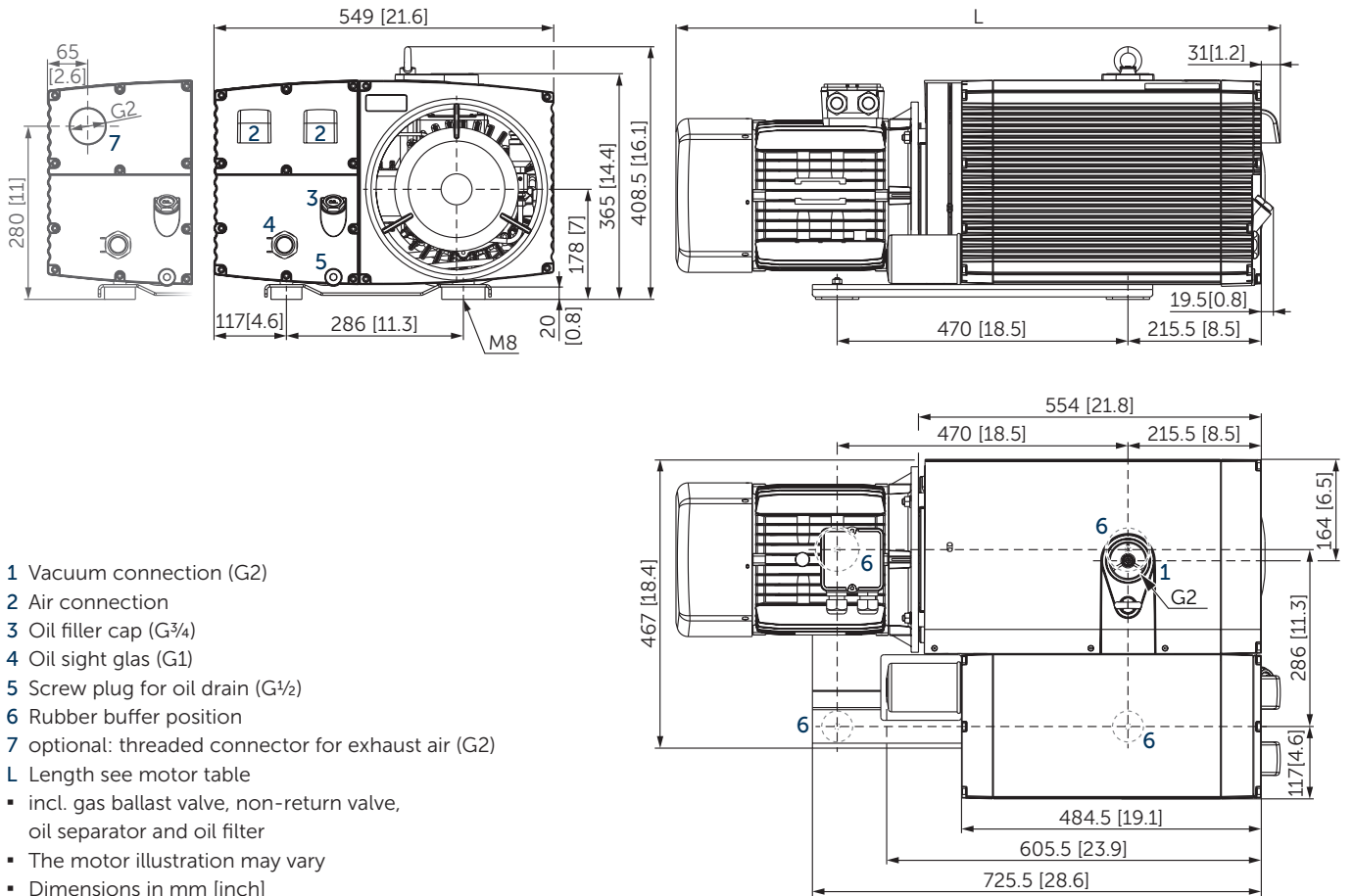
oil-lubricated

air-cooled

MAKE IT BECKER.



figure U 5.200



- 1 Vacuum connection (G2)
- 2 Air connection
- 3 Oil filler cap (G^{3/4})
- 4 Oil sight glass (G1)
- 5 Screw plug for oil drain (G^{1/2})
- 6 Rubber buffer position
- 7 optional: threaded connector for exhaust air (G2)
- L Length see motor table
- incl. gas ballast valve, non-return valve, oil separator and oil filter
- The motor illustration may vary
- Dimensions in mm [inch]

Nominal capacity		Vacuum absolute for continuous operation		Motors		Emission sound pressure level ²⁾		Weight w/o motor	Oil ³⁾
m ³ /h		mbar		kW		dB(A)		kg	l
50 Hz	60 Hz	50 Hz	60 Hz	50 Hz	60 Hz	50 Hz	60 Hz		
300	360	<0.1–100	<0.1–100	5.5	6.6	73	76	90	6
300	360	<0.1–400	<0.1–400	7.5	9.0	73	76	90	6

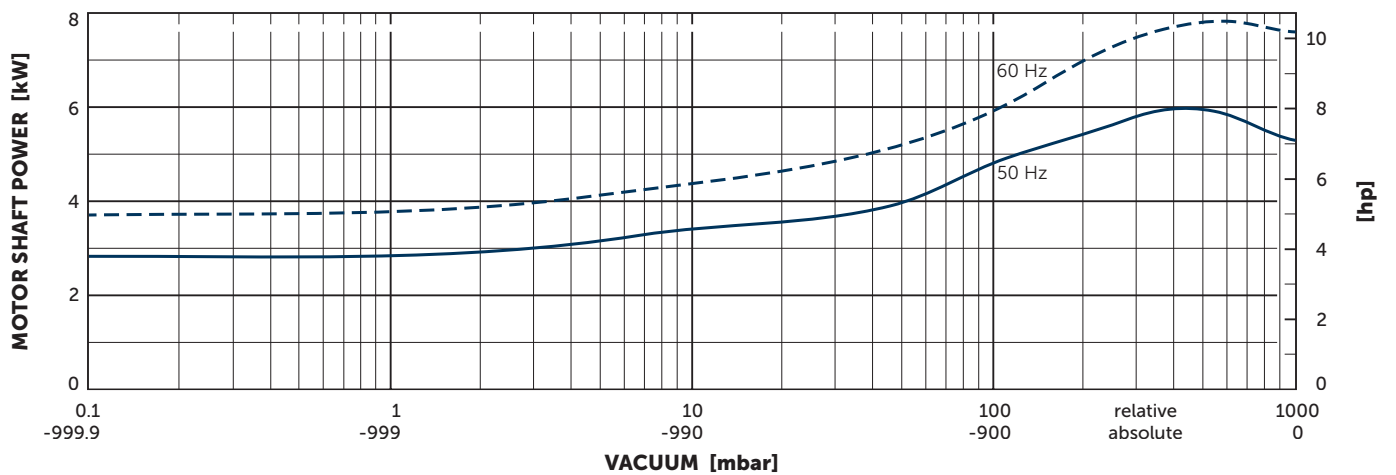
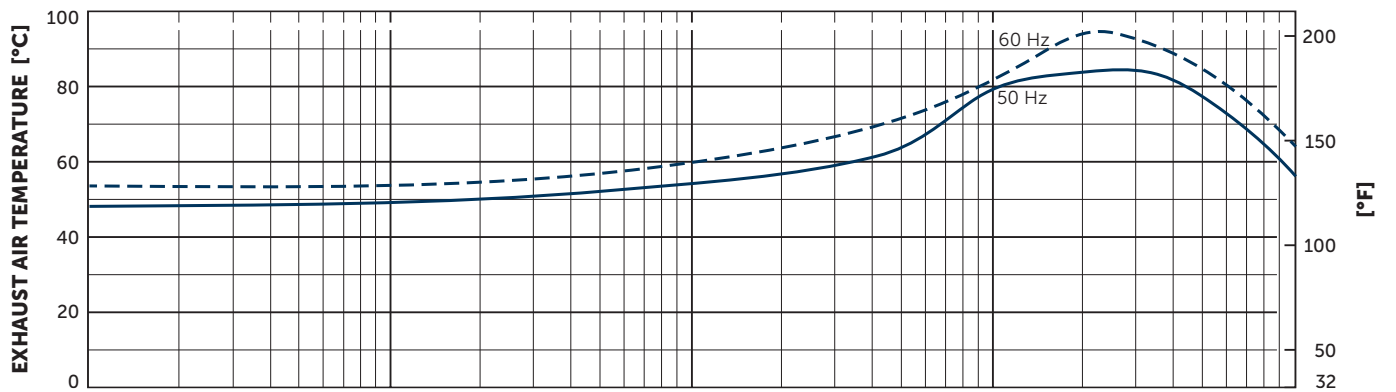
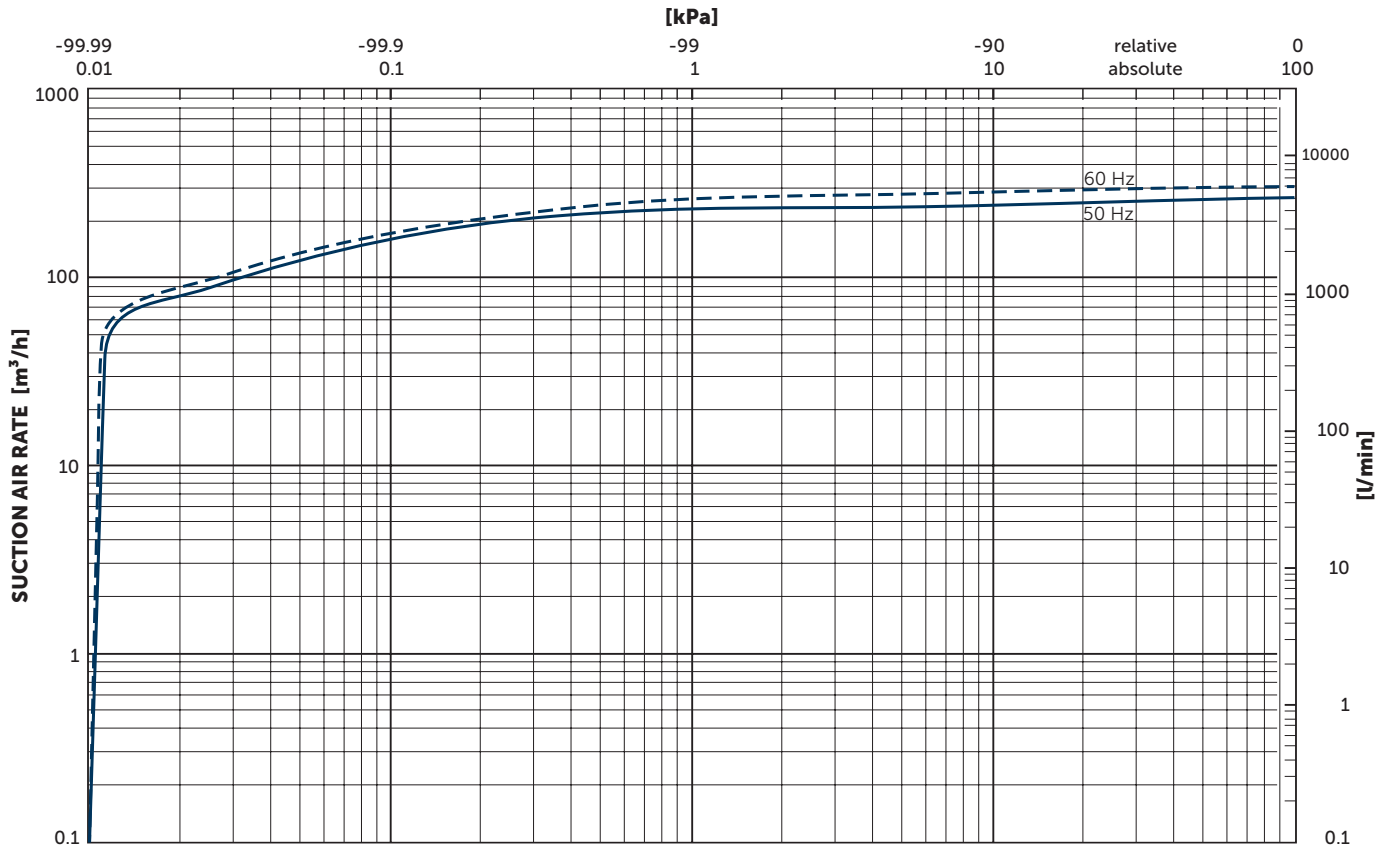
¹⁾ According to DIN EN ISO 11203, accuracy class of measurement: class 2, extended measurement uncertainty: 3 dB
1 m [39.4 inch] distance, at medium load, both connection sides piped

²⁾ Becker Lube M100 mineral • S100 synthetic • SL100 food

▪ Gas ballast valve: vacuum 1.0 mbar abs. with opened gas ballast valve; water vapour tolerance max. 40 mbar; water vapour capacity max. 5.0/5.6 l/h 50/60 Hz (at 85°C operating temperature)

3~ Motors													L
#	50 Hz					60 Hz					Version	Weight kg	mm [inch]
	kW	V	min ⁻¹	A	kW	V	min ⁻¹	A					
01	5.5	Δ230/Y400	IE3	1468	20.7/12.0	6.6	Δ265/Y460 Δ230/Y400	IE3 -	1762 1750	20.6/11.9 21.6/12.5	IP 55 • ISO F • bimetal	53.0	946.0 [37.3]
02	5.5	Δ400	IE3	1468	12.3	6.6	Δ460 Δ400	IE3 -	1764 1751	12.0 12.4	IP 55 • ISO F • bimetal	53.0	946.0 [37.3]
03						6.6	YY230/Y460 YY208	IE3 -	1755 1750	22.1/11.1 23.3	UL (E235514) • CSA CC329B IP 55 • ISO F • bimetal	55.0	973.5 [38.4]
04	5.5	Δ200/Y350	IE3	1474	27.4/15.8	6.6	Δ200/Y380-400 Δ200/Y350	IE3 -	1769 1761	24.1/14.5-13.8 25.4/14.65	IP 55 • ISO F • bimetal	63.5	984.0 [38.8]
05						6.6	Δ400	IE3	1765	24.1/14.5-13.8 25.4/14.65	UL (E235514) • CSA CC329B IP 55 • ISO F • bimetal	70.8	973.5 [38.4]
06	7.5	Δ230/Y400	IE3	1445	28.0/16.2	9.0	Δ265/Y460 Δ230/Y400	IE3 -	1735 1720	26.8/15.5 30.9/17.9	IP 55 • ISO F • bimetal	55.0	986.0 [38.8]
07	7.5	Δ400	IE3	1445	16.0	9.0	Δ460 Δ400	IE3 -	1735 1720	15.5 18.0	IP 55 • ISO F • bimetal	55.0	986.0 [38.8]
08						9.0	YY230/Y460 YY208	IE3 -	1763 1760	33.6/16.8 33.8	UL (E235514) • CSA CC329B IP 55 • ISO F • bimetal	68.0	973.5 [38.4]
09	7.5	Δ200/Y350	IE3	1450	31.8/18.3	9.0	Δ200/Y380-400 Δ200/Y350	IE3 -	1760 1745	31.5/18.2-17.3 33.9/19.5	IP 55 • ISO F • bimetal	55.0	986.0 [38.8]
10						9.0	Δ400	IE3	1767	21.1	UL (E235514) • CSA CC329B IP 55 • ISO F • bimetal	71.4	973.5 [38.4]

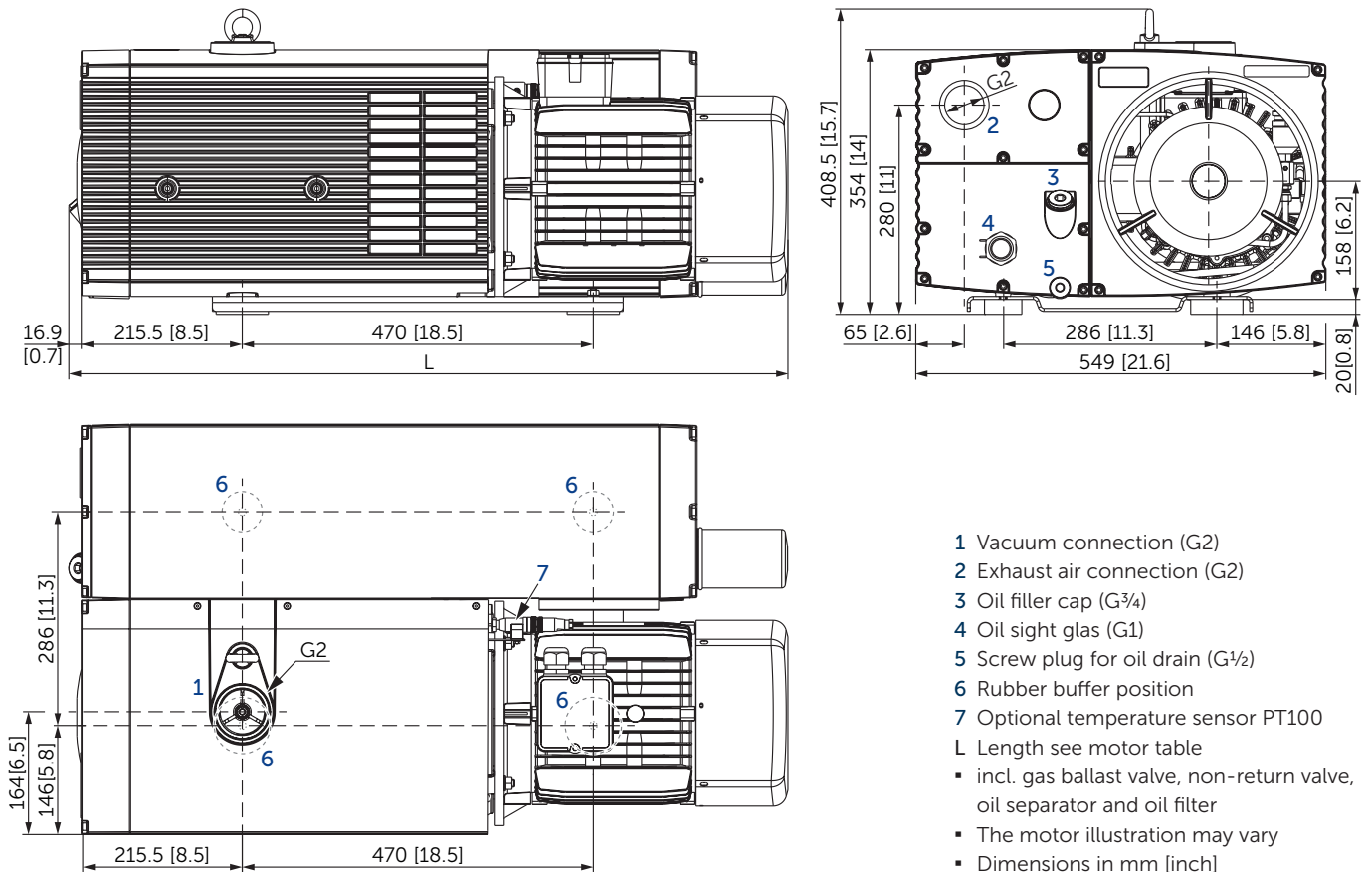
• Current consumption and rotation speed may vary. Tolerance in each case -1.5/+2%



Suction air rate refers to the intake pressure
 Reference data (atmosphere): 1000 mbar (100 kPa), 20°C (68°F)
 Tolerance: ±10%

+ VARIANTS AND ACCESSORIES

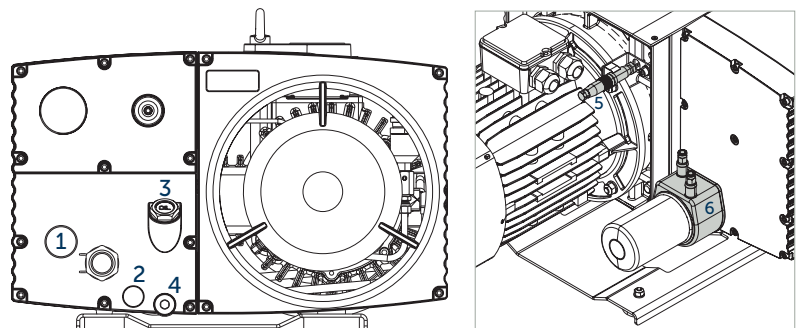
- Optional **GAS BALLAST VALVE** for increased water vapour tolerance (3.0 mbar absolute)
water vapour tolerance: max. 70 mbar; water vapour capacity: max. 10/13 l/h 50/60 Hz (at 85°C operating temperature)
- **THREADED CONNECTOR** for exhaust air (G2)
- **VARIAR U 5.301¹⁾** with VARIAIR frequency inverter
- **U 5.301 O2-PACK¹⁾** for packaging with an overconcentration of oxygen
- **U 5.301/0-62XL** with enlarged oil tank and high efficient triple stage oil separation,
weight without motor: 105 kg, oil quantity: 13 l, further technical data, motors and characteristic curves like standard pump



- 1 Vacuum connection (G2)
 - 2 Exhaust air connection (G2)
 - 3 Oil filler cap (G³/₄)
 - 4 Oil sight glass (G1)
 - 5 Screw plug for oil drain (G¹/₂)
 - 6 Rubber buffer position
 - 7 Optional temperature sensor PT100
- L Length see motor table
- incl. gas ballast valve, non-return valve, oil separator and oil filter
 - The motor illustration may vary
 - Dimensions in mm [inch]

ACCESSORIES

- 1 Oil level switch¹⁾ (G1)
 - 2 Oil temperature monitor¹⁾ (G¹/₂)
 - 3 Maintenance indicator¹⁾ (G³/₄) for oil separating elements
 - 4 Ball valve (G¹/₂), with locking and hose connector 19 mm (0.75 inch)
 - 5 Temperature sensor PT100
 - 6 Water cooler U5.200-0-114.2¹⁾ with connectors for hoses with an external diameter of 8 mm (0.32 inch)
- External suction filter
 - Oil: Becker Lube M100 mineral, S100 synthetic and SL100 food



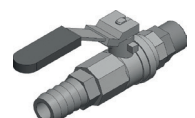
Oil level switch



Oil temperature monitor



Maintenance indicator



Ball valve

¹⁾ See separate data sheet
• Combination options on request



MAKE IT BECKER.